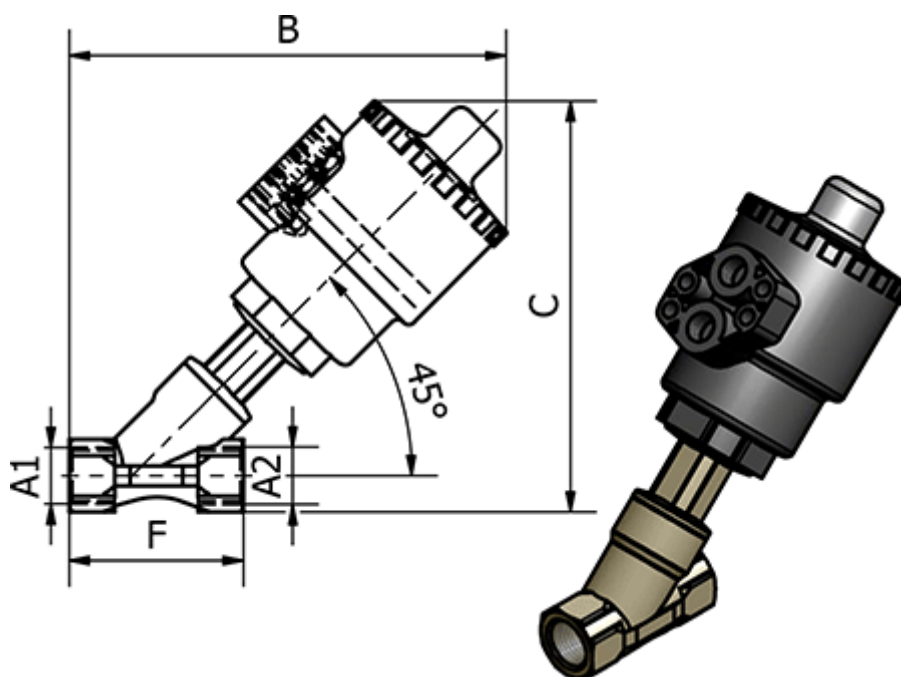


Article number: 58636202

Description: Angle-Seat Valve 362.02, G 3/4" - G 1/8"
Thread/Thread

Measures



B	= 173
C	= 163
Connecting A1	= G 3/4"
Connecting A2	= G 3/4"
Control Air	= G 1/8"
Control Air	= 4-10 bar
F	= 65
Max. Working Pressure	= 10 bar